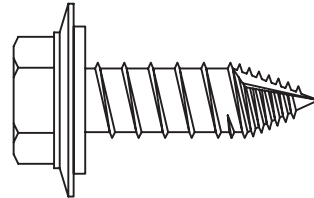
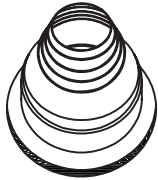


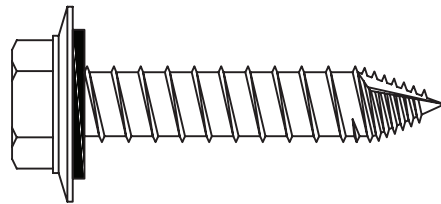
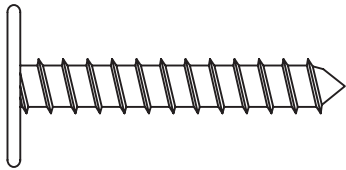
PIPE FLASHING - GRAY EPDM

14 - 10 x 1" TYPE 17 METAL TO WOOD



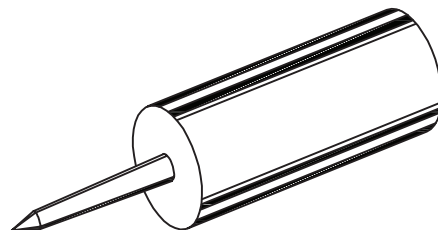
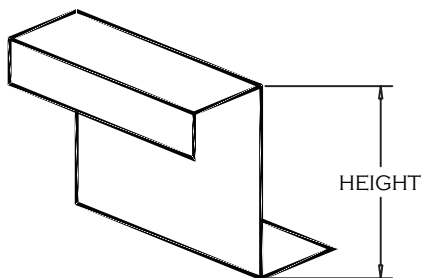
PANCAKE WOOD - 3/4"

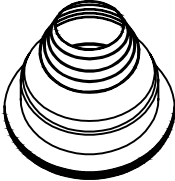
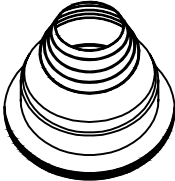
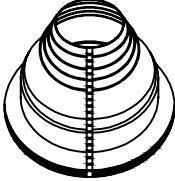
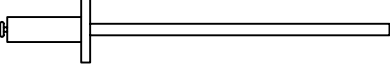
14 - 10 x 1 1/2" TYPE
17 METAL TO WOOD

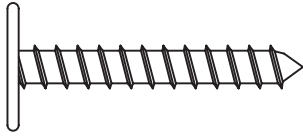

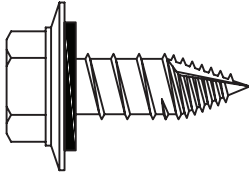
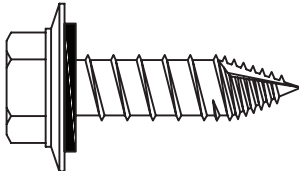


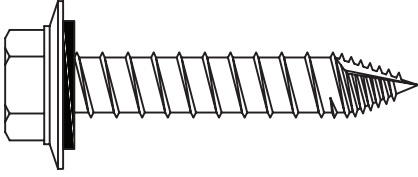
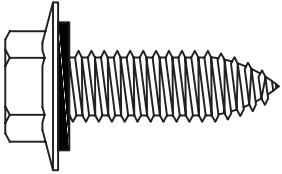
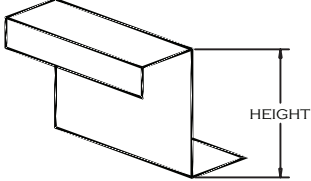
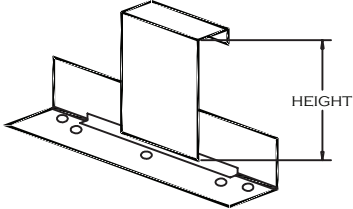
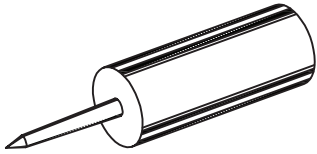
MECHLOCK FIXED CLIP

NP1 CAULK SEALER



ITEM	DESCRIPTION	
<p>PIPE FLASHING - GRAY EPDM</p> 	PIPE SIZE RANGE	BASE DIMENSION
	<p>1/4" To 1/8" 1/4" To 2" 1 3/4" To 4" 1/4" To 4" 3" To 6" 4" To 7" 6" To 11" 7" To 13" 10" To 18" 16" To 24"</p>	<p>3 1/2" 4 3/4" 6 1/4" 7 3/4" 9 1/4" 10 3/4" 14 1/2" 16 1/2" 25 3/8" 39 1/2" x 35" Sq.</p> <p>EPDM RUBBER SERVICE TEMPERATURE - 65°F To 250°F IF SLOPE IS MORE THAN 20° USE NEXT SIZE UP.</p>
<p>PIPE FLASHING - RED SILICONE</p>  <p>(HIGH TEMPERATURE)</p>	PIPE SIZE RANGE	BASE DIMENSION
	<p>1/4" To 4" 4" To 7" 7" To 13" 10" To 18"</p>	<p>7 3/4" 10 3/4" 16 1/2" 25 3/8"</p> <p>SILICONE SERVICE TEMPERATURE - 40°F To 350°. IF SLOPE IS MORE THAN 20° USE NEXT SIZE UP.</p>
<p>RETROFIT PIPE FLASHING - GRAY EPDM</p> 	PIPE SIZE RANGE	BASE DIMENSION
	<p>3/4" To 2 3/4" 2" To 7 1/4" 3 1/4" To 10"</p>	<p>6 1/4" 10 3/4" 14 1/2"</p> <p>EPDM RUBBER SERVICE TEMPERATURE - 65°F To 250°F IF SLOPE IS MORE THAN 20° USE NEXT SIZE UP.</p>
<p>POP RIVET</p> 	FINISH	BOX SIZE
	<p>PLAIN STAINLESS STEEL # 42, #43, #44, #46</p> <p>PAINTED STAINLESS STEEL # 42</p>	<p>100</p> <p>100</p>
<p>KYNAR 500® FLASHING - 24 GA TYP. GALVALUME® = ACRYLIC COATED GALVALUME GALVALUME IS A TRADEMARK OF BIEC, INC.</p>		

ITEM	DESCRIPTION			
<p>PANCAKE WOOD - 3/4"</p>  <p>10-12 x 3/4" #2 PHILLIPS OR QUADREX DRIVE</p>	FINISH	BAG SIZE	BOX SIZE	
<p>SELF DRILLING - 1"</p>  <p>10-12 x 1" #2 PHILLIPS</p>	FINISH	BAG SIZE	BOX SIZE	
 <p>1/4 - 14 x 3/4" TYPE AB METAL TO WOOD</p>	FINISH	BAG SIZE	BOX SIZE	
 <p>14- 10 x 1" TYPE 17 METAL TO WOOD</p>	FINISH	BAG SIZE	BOX SIZE	
<p>FASTENERS AVAILABLE IN QUANTITIES OF 250 ONLY MINIMUM ORDER REQUIRED FOR NON STOCK COLOR ORDERS.</p>				

ITEM	DESCRIPTION			
 <p>14-10 x 1 1/2" TYPE 17 METAL TO WOOD</p>	FINISH	BAG SIZE	Box Size	
	PLAIN	250	1,500	
	PAINTED	250	1,500	
 <p>17 x 1" TYPE AB TAPPER</p>	FINISH	BAG SIZE	Box Size	
	PLAIN	250	2,000	
	PAINTED	250	2,000	
MECHLOCK FIXED CLIP 	PANEL SYSTEM	HEIGHT	GAUGE	Box QTY
	MECHANICAL 100	1 1/8"	22	1,000
MECHLOCK FLOATING CLIP 	PANEL SYSTEM	HEIGHT	GAUGE	Box QTY
	MECHANICAL 100	1 1/8"	24 & 24	250
	MECHANICAL 200	2 1/8"	18 & 22	500
<p>FASTENERS AVAILABLE IN QUANTITIES OF 250 ONLY MINIMUM ORDER REQUIRED FOR NON STOCK COLOR ORDERS.</p>				
NP1 CAULK SEALER 	TYPE	COLOR	CARTON QUANTITY	ARTON WEIGHT
	NP1	CLEAR30		22.20
	NP1	GRAY	30	22.20
	NP1	GRAY	30	22.20
	NP1	BRONZE	30	22.20
	NP1	TAN/ALMOND3	0	22.20
	NP1	BLACK	30	22.20
	NP1	WHITE	30	22.20
	NP1	GREEN	30	22.20

10 OZ TUBE