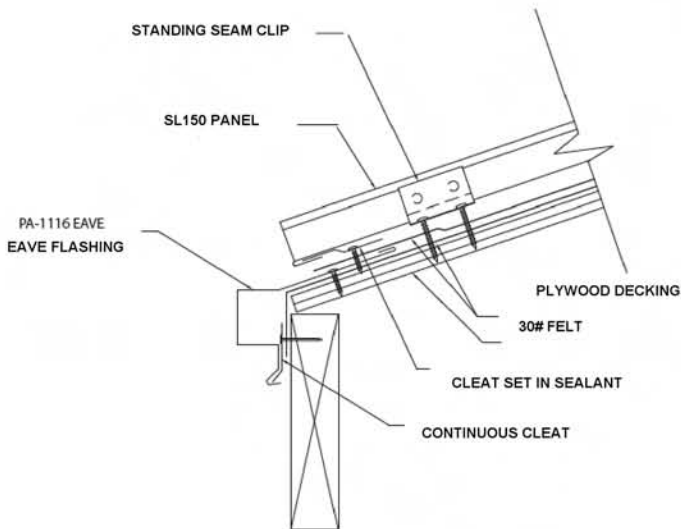
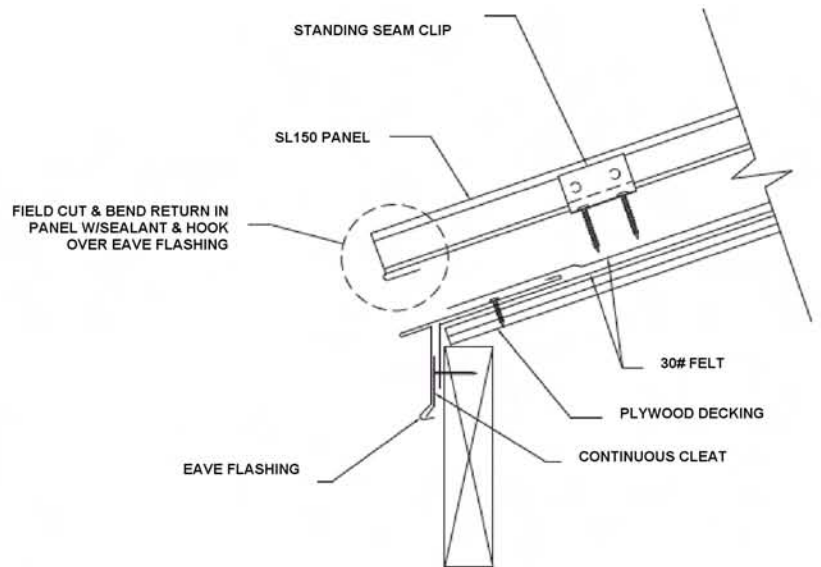
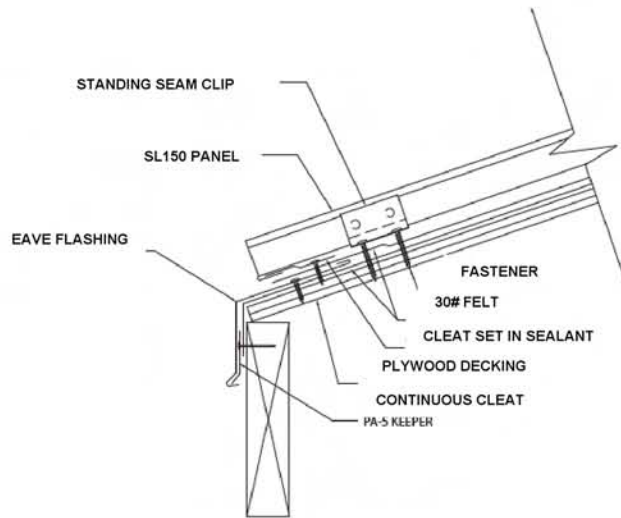

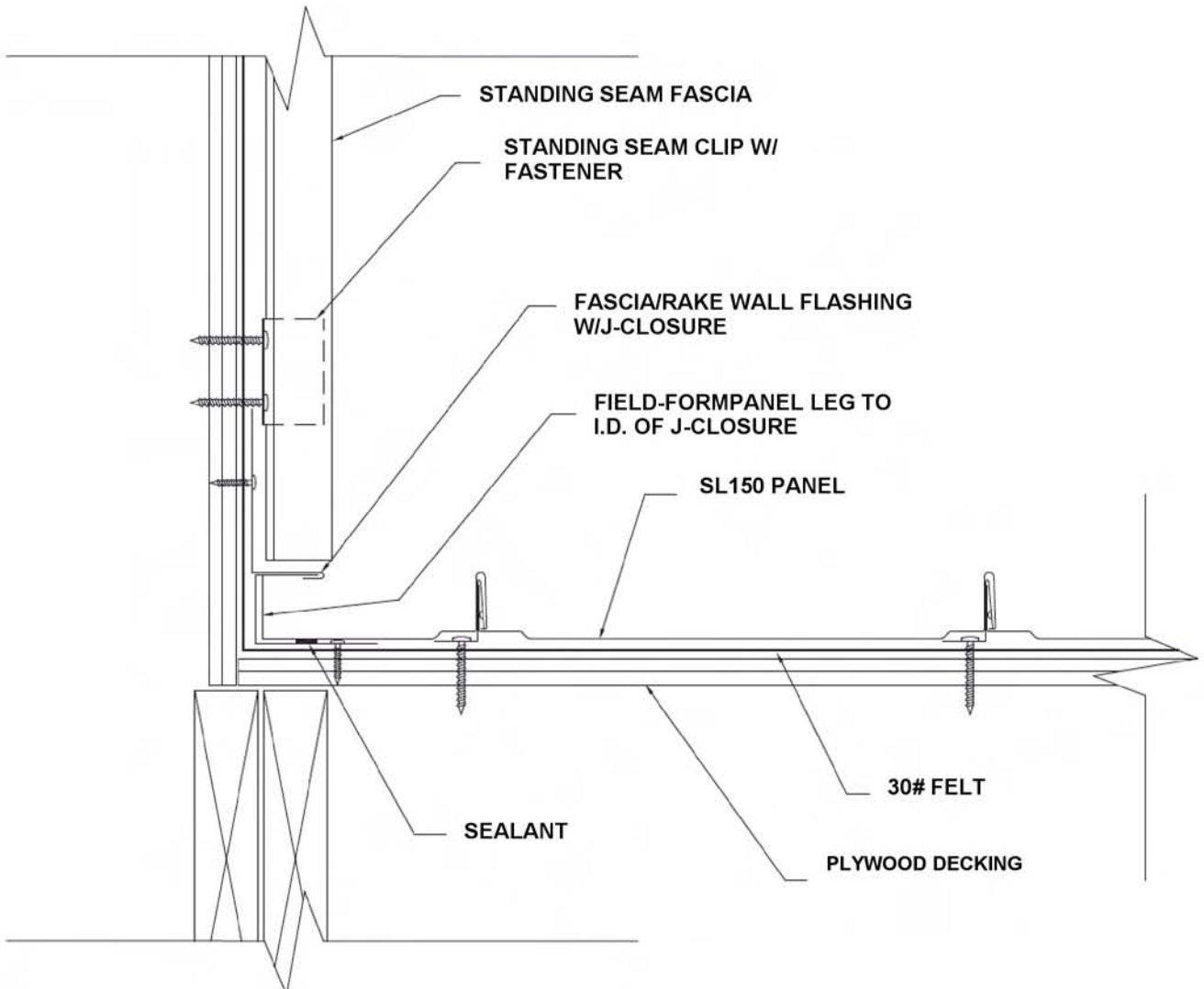


Eave Detail



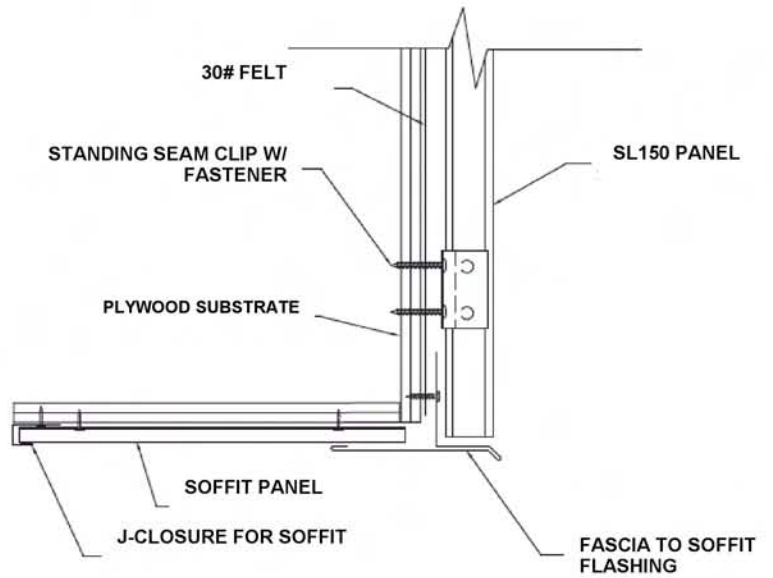
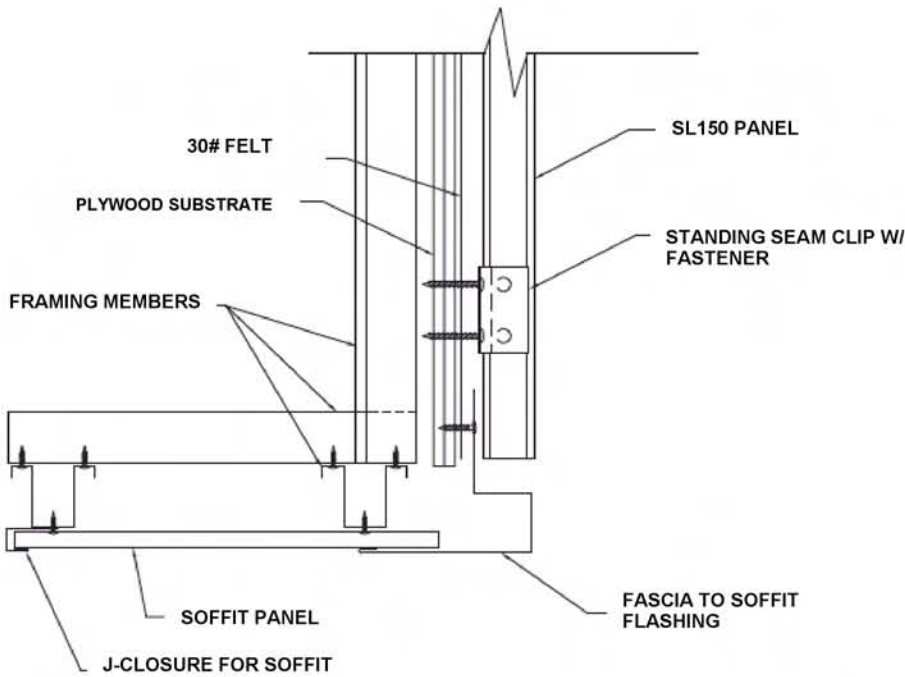
	ED-01	Project:		
		Contractor:		
210 W.PEDEN SAN ANTONIO, TX 78204 (210) 277-7267 F (210) 227-0329 www.saqualitymetals.com		Designer:	Date:	Scale:


Fascia Rake Wall Detail



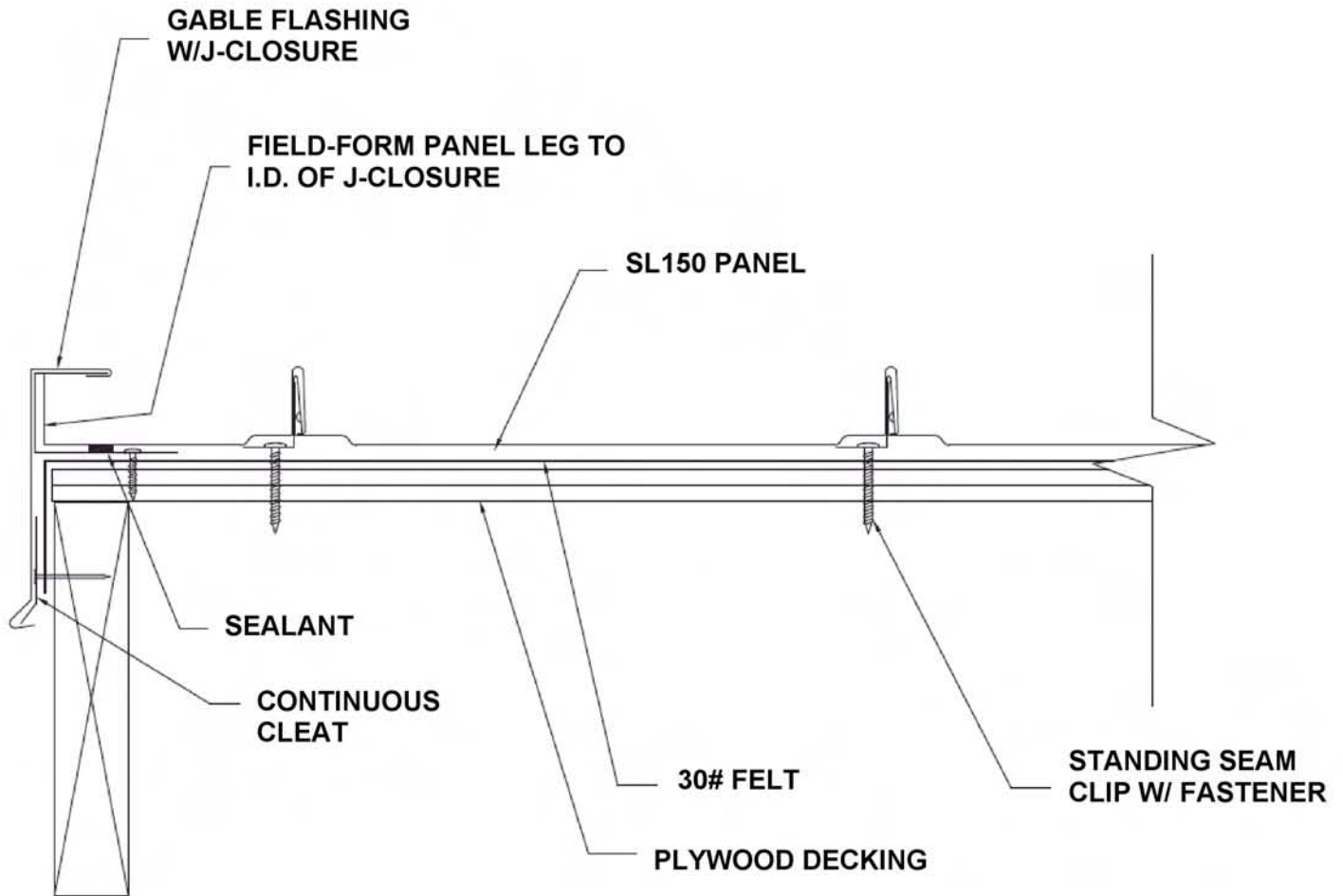
	FRWD-01	Project:		
210 W.PEDEN SAN ANTONIO, TX 78204 (210) 277-7267 F (210) 227-0329 www.saqualitymetals.com	Contractor:			
	Designer:	Date:	Scale:	


Fascia To Soffit Transition



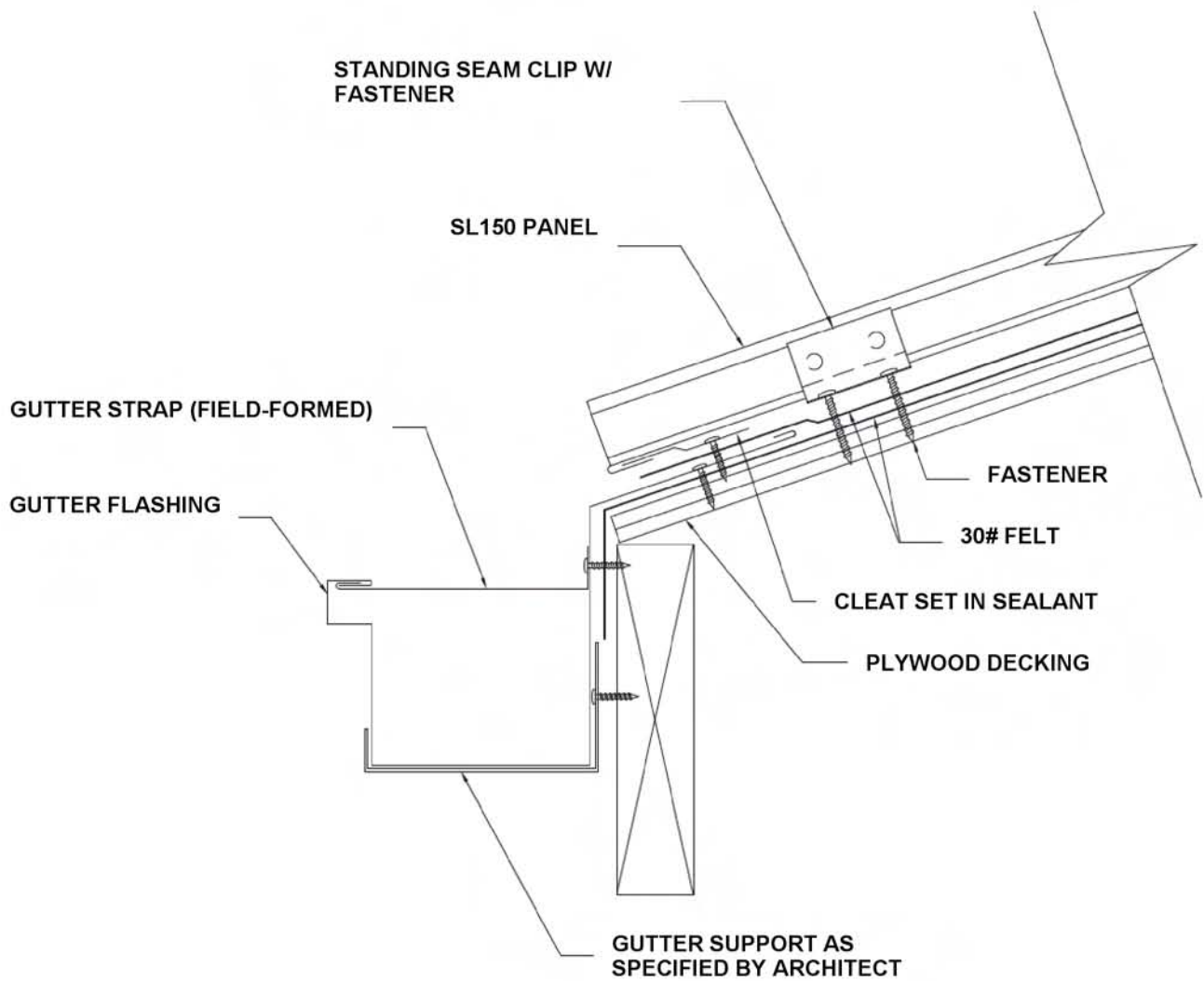
	FTST-01	Project:		
		Contractor:		
210 W.PEDEN SAN ANTONIO, TX 78204 (210) 277-7267 F (210) 227-0329 www.saqualitymetals.com		Designer:	Date:	Scale:


Gable Detail



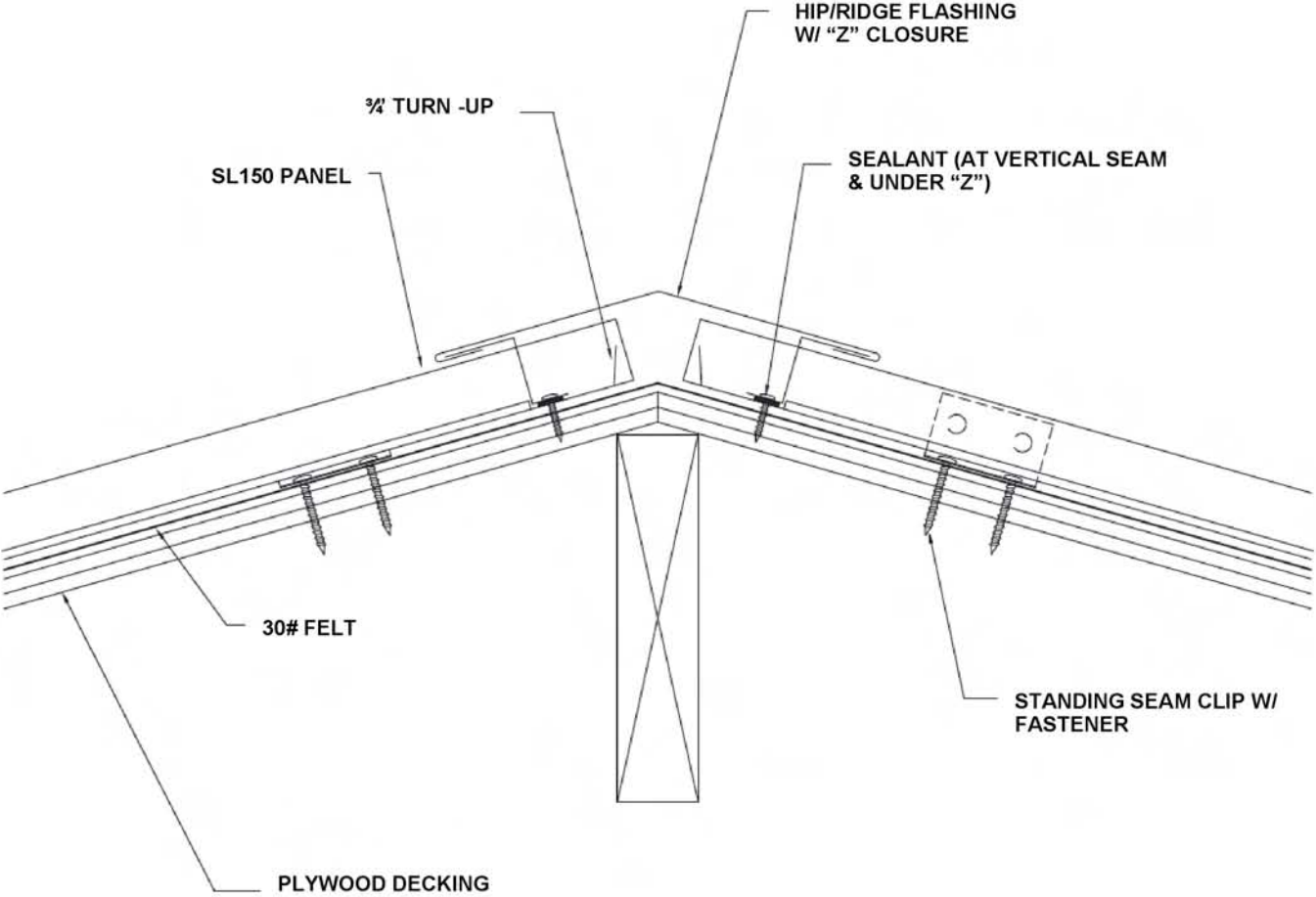
	GD-01	Project:		
		Contractor:		
210 W.PEDEN SAN ANTONIO, TX 78204 (210) 277-7267 F (210) 227-0329 www.saqualitymetals.com		Designer:	Date:	Scale:

Gutter Detail



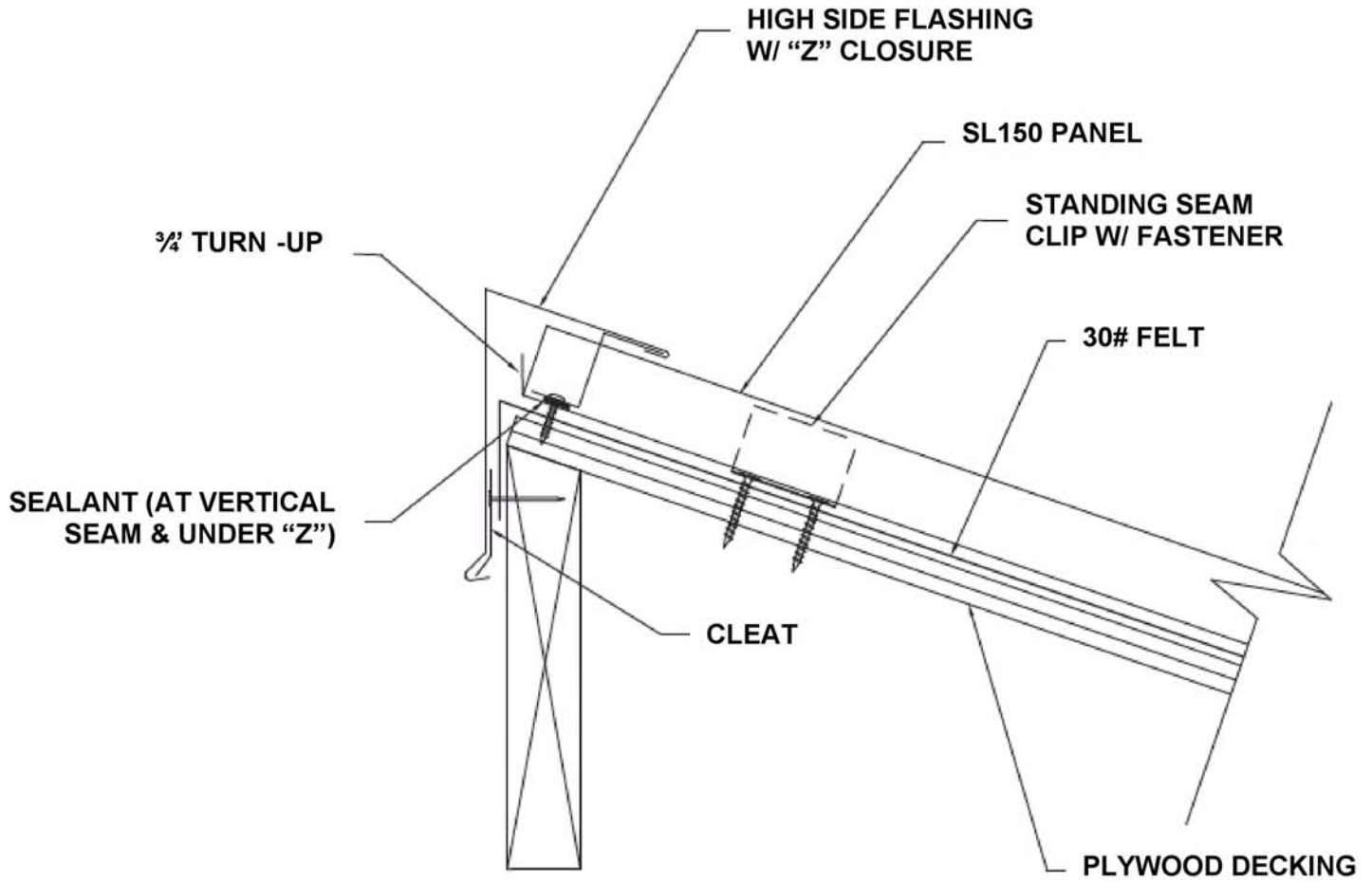
	<p>GTD-01</p>	<p>Project:</p>		
<p>210 W.PEDEN SAN ANTONIO, TX 78204 (210) 277-7267 F (210) 227-0329 www.saqualitymetals.com</p>		<p>Contractor:</p>		
		<p>Designer:</p>	<p>Date:</p>	<p>Scale:</p>


Hip/Ridge Detail



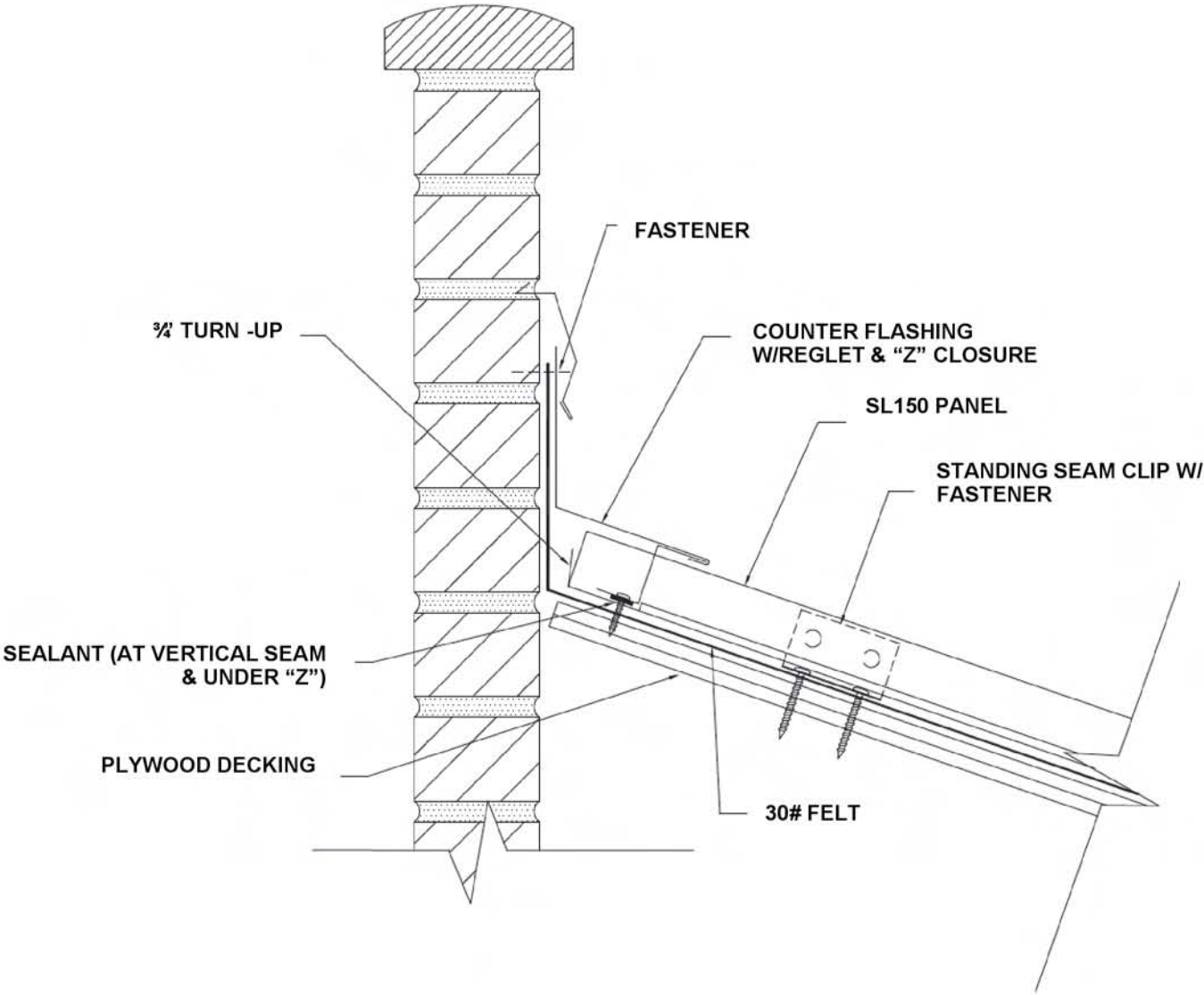
	HRGD-01	Project:		
210 W.PEDEN SAN ANTONIO, TX 78204 (210) 277-7267 F (210) 227-0329 www.saqualitymetals.com		Contractor:		
		Designer:	Date:	Scale:


High Side Detail



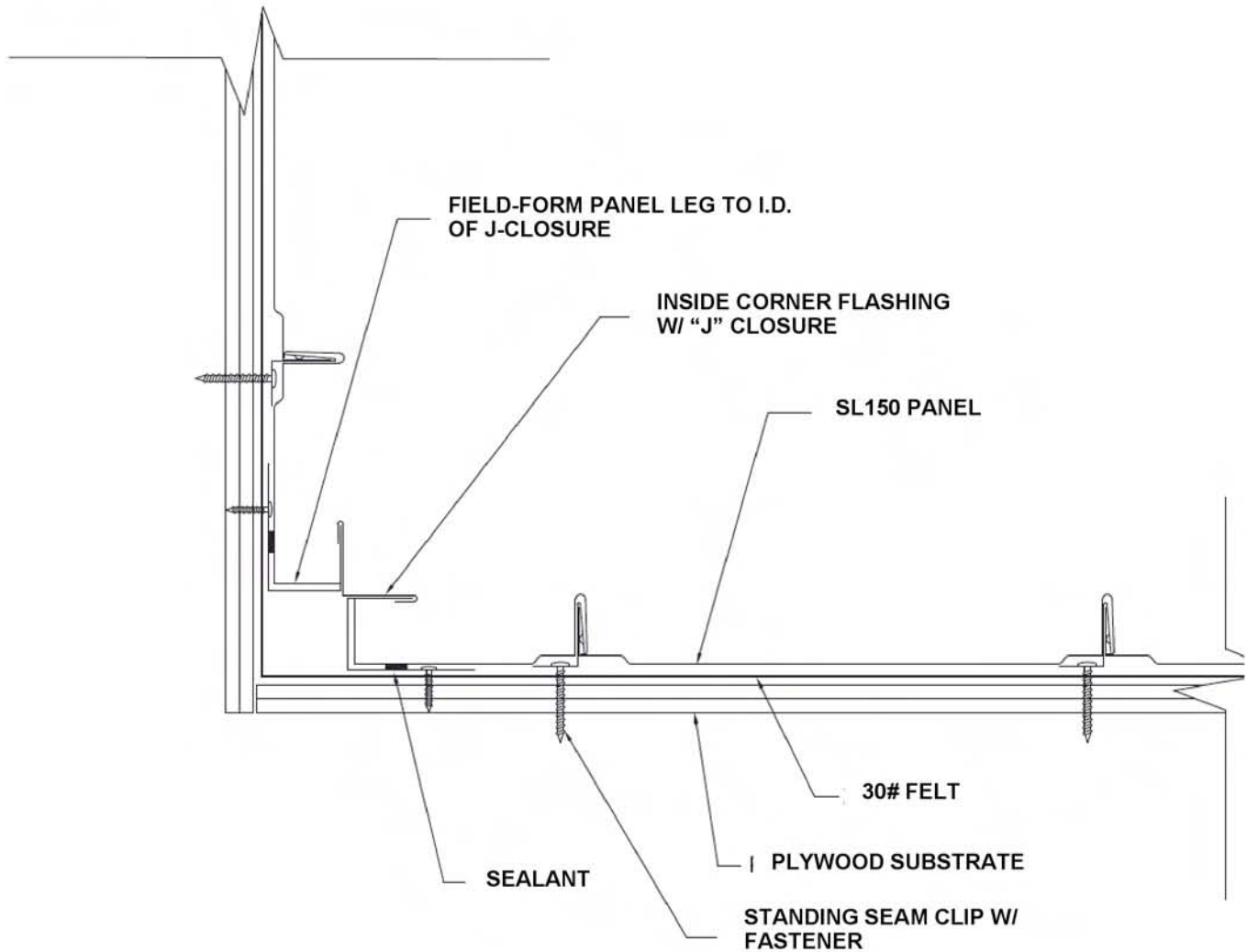
	<p>HSD-01</p>	<p>Project:</p>		
<p>210 W.PEDEN SAN ANTONIO, TX 78204 (210) 277-7267 F (210) 227-0329 www.saqualitymetals.com</p>		<p>Contractor:</p>		<p>Date:</p>
		<p>Designer:</p>	<p>Date:</p>	<p>Scale:</p>


Head Wall Detail



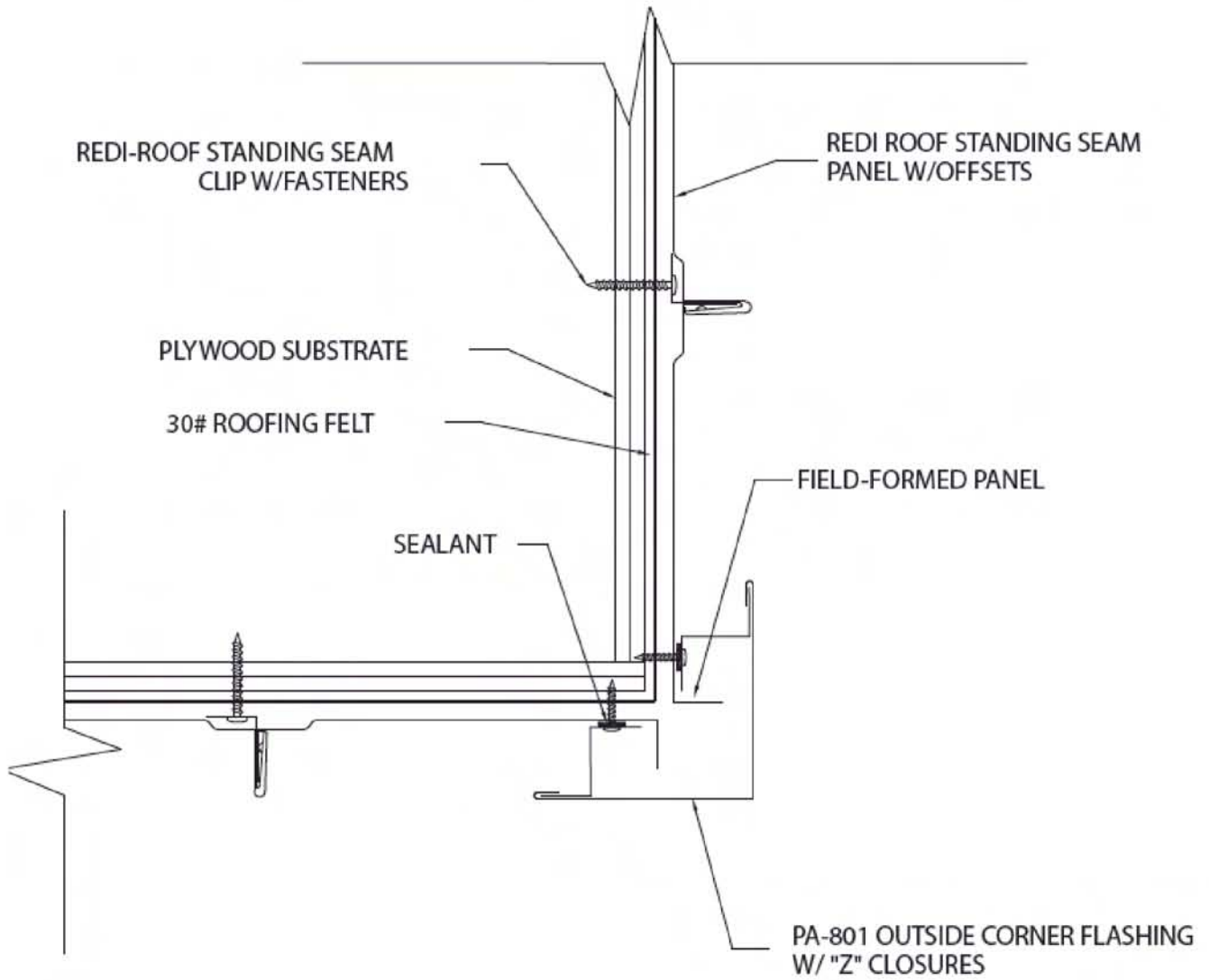
	<p>HWD-01</p>	<p>Project:</p>		
<p>210 W.PEDEN SAN ANTONIO, TX 78204 (210) 277-7267 F (210) 227-0329 www.saqualitymetals.com</p>		<p>Contractor:</p>		
		<p>Designer:</p>	<p>Date:</p>	<p>Scale:</p>

Inside Corner Detail



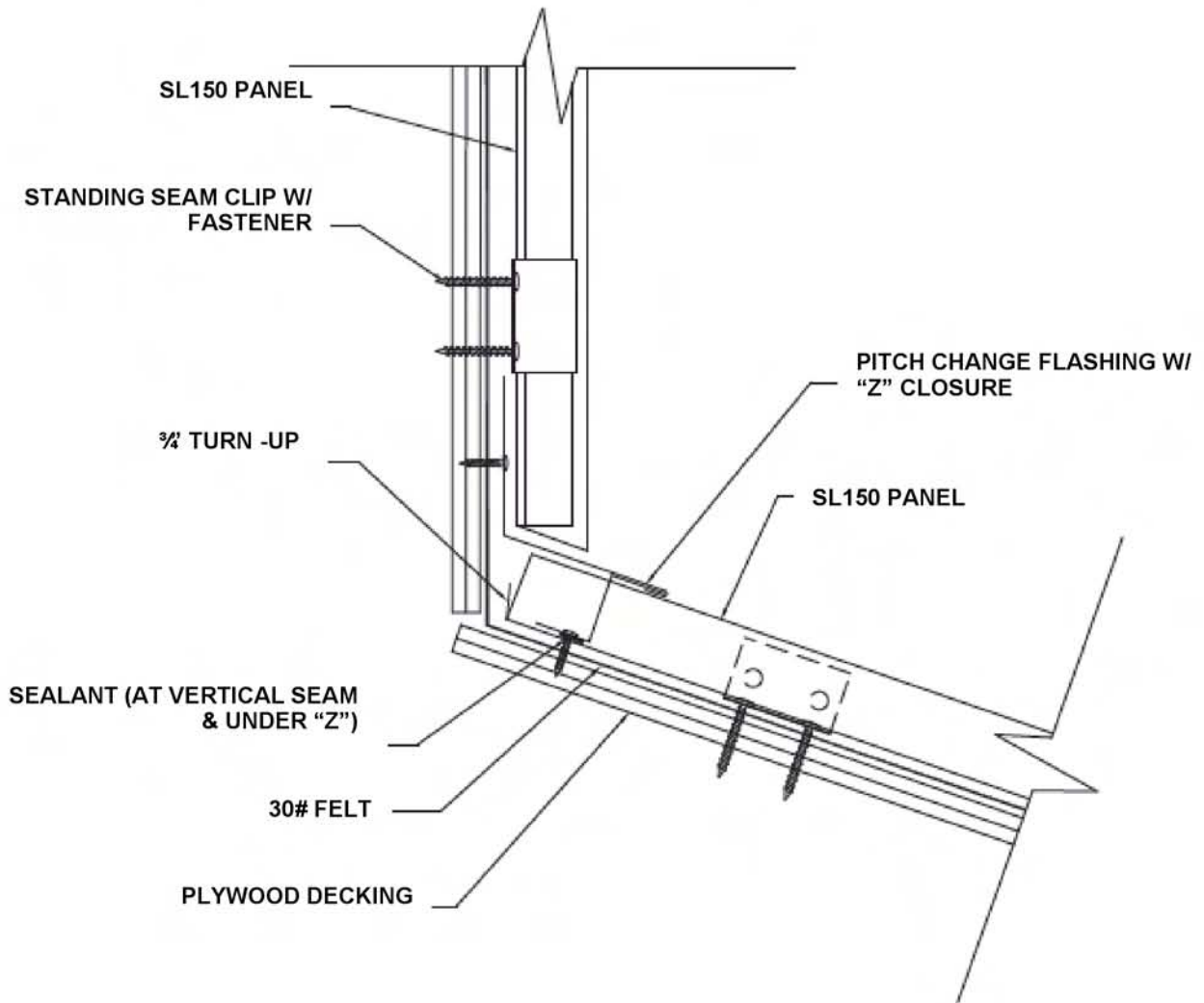
	<p>ICD-01</p>	<p>Project:</p>		
<p>210 W.PEDEN SAN ANTONIO, TX 78204 (210) 277-7267 F (210) 227-0329 www.saqualitymetals.com</p>		<p>Contractor:</p>		
		<p>Designer:</p>	<p>Date:</p>	<p>Scale:</p>

Outside Corner Detail



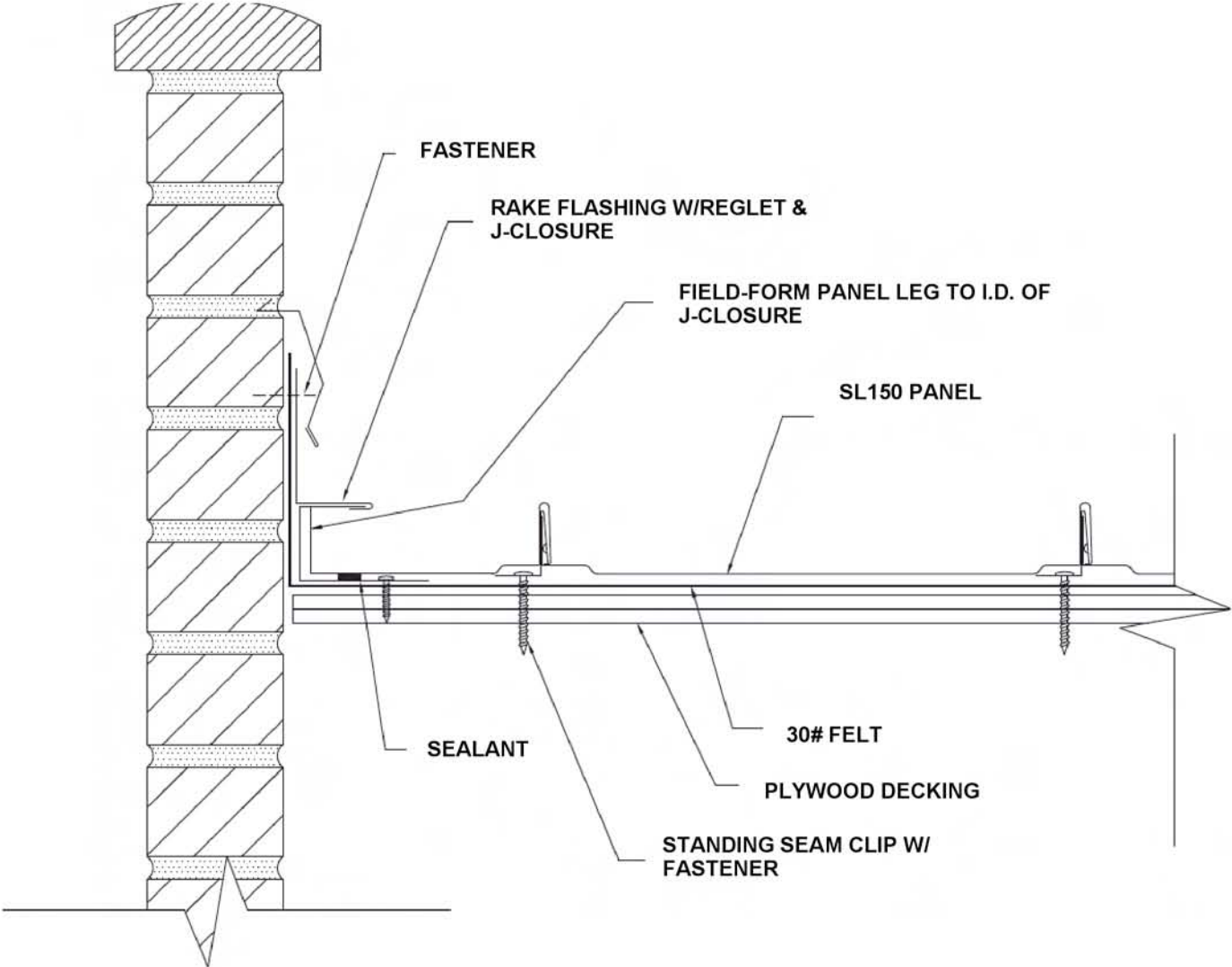
	<p>OCD-01</p>	<p>Project:</p>		
<p>210 W.PEDEN SAN ANTONIO, TX 78204 (210) 277-7267 F (210) 227-0329 www.saqualitymetals.com</p>		<p>Contractor:</p>		
		<p>Designer:</p>	<p>Date:</p>	<p>Scale:</p>

Pitch Change Detail



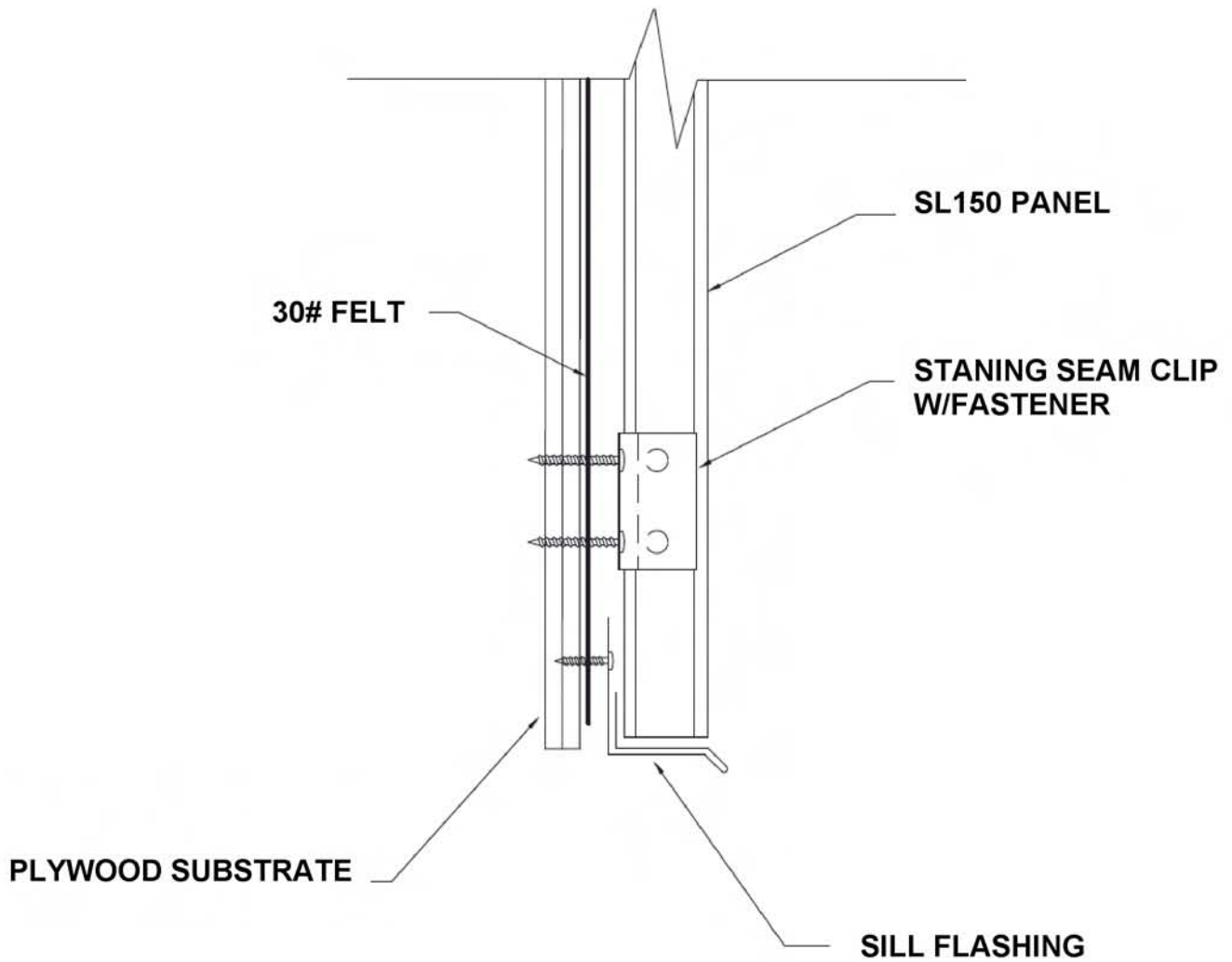
	<p>PCHD-01</p>	<p>Project:</p>		
<p>210 W.PEDEN SAN ANTONIO, TX 78204 (210) 277-7267 F (210) 227-0329 www.saqualitymetals.com</p>		<p>Contractor:</p>		
		<p>Designer:</p>	<p>Date:</p>	<p>Scale:</p>


Rake Detail



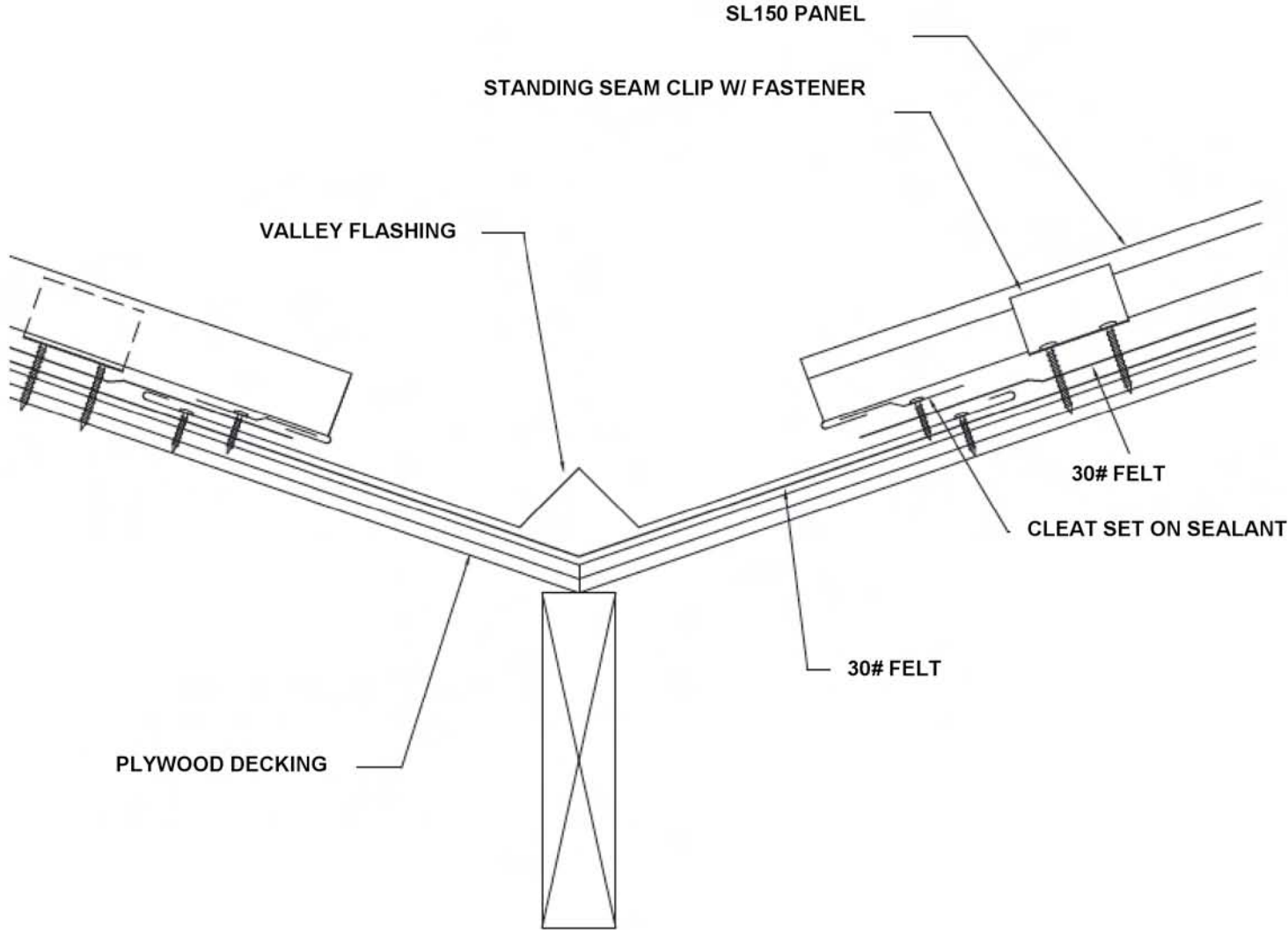
	RKD-01	Project:		
		Contractor:		
210 W.PEDEN SAN ANTONIO, TX 78204 (210) 277-7267 F (210) 227-0329 www.saqualitymetals.com		Designer:	Date:	Scale:


Sill Detail



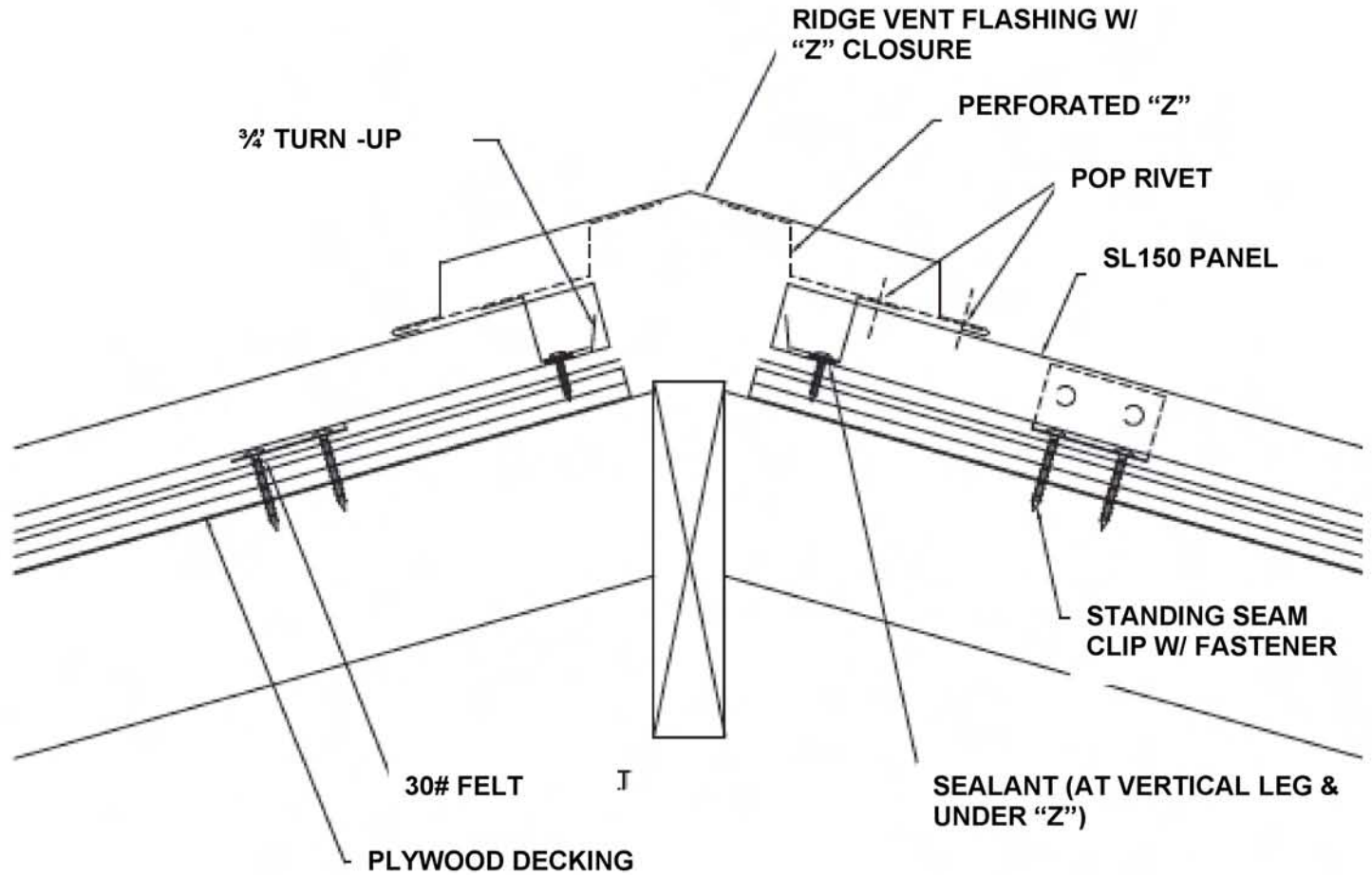
	<p>SLD-01</p>	<p>Project:</p>		
<p>210 W.PEDEN SAN ANTONIO, TX 78204 (210) 277-7267 F (210) 227-0329 www.saqualitymetals.com</p>		<p>Contractor:</p>		
		<p>Designer:</p>	<p>Date:</p>	<p>Scale:</p>


Valley Detail



	<p>VDD-01</p>	<p>Project:</p>		
<p>210 W.PEDEN SAN ANTONIO, TX 78204 (210) 277-7267 F (210) 227-0329 www.saqualitymetals.com</p>		<p>Contractor:</p>		
		<p>Designer:</p>	<p>Date:</p>	<p>Scale:</p>

Vented Ridge Detail



	VRD-01	Project:		
210 W.PEDEN SAN ANTONIO, TX 78204 (210) 277-7267 F (210) 227-0329 www.saqualitymetals.com		Contractor:		
		Designer:	Date:	Scale: