
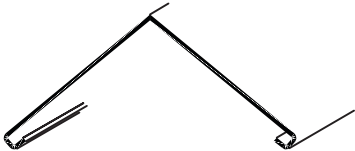
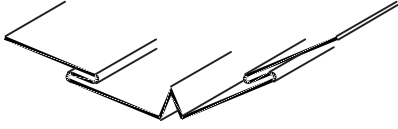
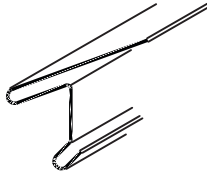
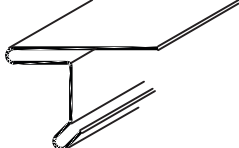
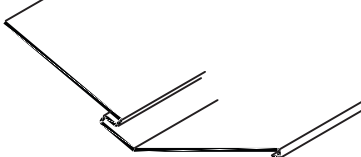
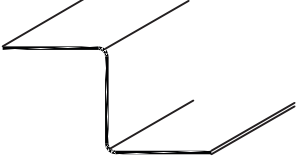
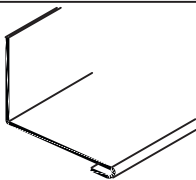
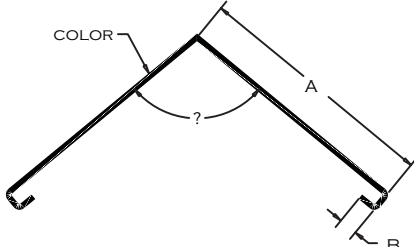
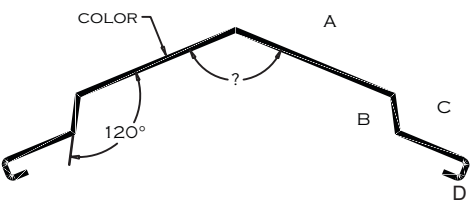
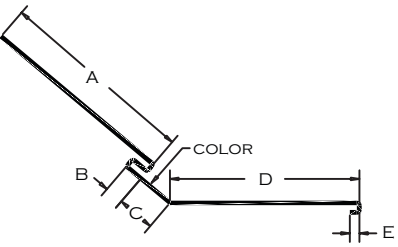
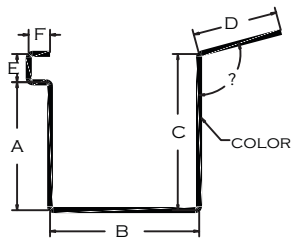
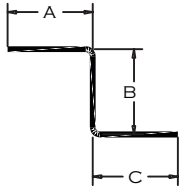
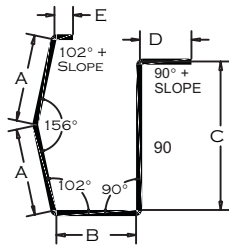
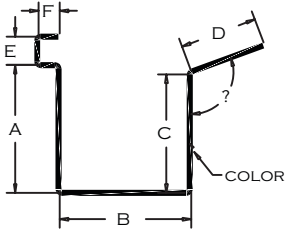
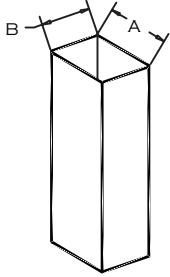


TRIM
HIP

RIDGE

LOCKING VALLEY

LOW EAVE

RAKE

LOCKING PITCH CHANGE

Z BAR

END WALL


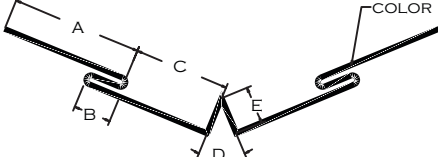
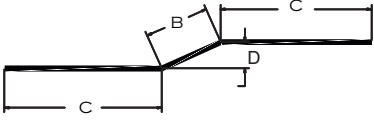
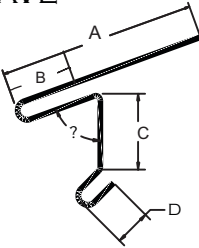
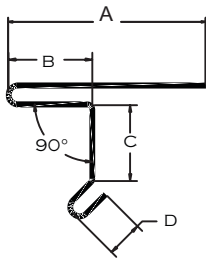


ITEM	DESCRIPTION													
<p>RIDGE</p>  <p>SPECIFY ANGLE OR ROOF SLOPE</p>		<table border="1"> <thead> <tr> <th>S.O.</th> <th>LB/10 LF</th> </tr> </thead> <tbody> <tr> <td>13"</td> <td>11.27</td> </tr> <tr> <td>12"</td> <td>10.4</td> </tr> <tr> <td>16"</td> <td>13.87</td> </tr> <tr> <td>20"</td> <td>17.33</td> </tr> <tr> <td>24"</td> <td>20.80</td> </tr> </tbody> </table>	S.O.	LB/10 LF	13"	11.27	12"	10.4	16"	13.87	20"	17.33	24"	20.80
S.O.	LB/10 LF													
13"	11.27													
12"	10.4													
16"	13.87													
20"	17.33													
24"	20.80													
<p>UNIVERSAL HIP / RIDGE CAP</p>  <p>SPECIFY ANGLE OR ROOF SLOPE</p>		<table border="1"> <thead> <tr> <th>S.O.</th> <th>LB/10 LF</th> </tr> </thead> <tbody> <tr> <td>16"</td> <td>13.87</td> </tr> </tbody> </table>	S.O.	LB/10 LF	16"	13.87								
S.O.	LB/10 LF													
16"	13.87													
<p>LOCKING PITCH CHANGE</p>  <p>SPECIFY ANGLE OR ROOF SLOPE</p>		<table border="1"> <thead> <tr> <th>S.O.</th> <th>LB/10 LF</th> </tr> </thead> <tbody> <tr> <td>17"</td> <td>14.73</td> </tr> </tbody> </table>	S.O.	LB/10 LF	17"	14.73								
S.O.	LB/10 LF													
17"	14.73													
<p>BOX GUTTER</p>  <p>SPECIFY ANGLE OR ROOF SLOPE</p>		<table border="1"> <thead> <tr> <th>S.O.</th> <th>LB/10 LF</th> </tr> </thead> <tbody> <tr> <td>20 3/4"</td> <td>28.80</td> </tr> </tbody> </table>	S.O.	LB/10 LF	20 3/4"	28.80								
S.O.	LB/10 LF													
20 3/4"	28.80													
<p>KYNAR 500® FLASHING - 24 GA TYP. GALVALUME® = ACRYLIC COATED GALVALUME GALVALUME IS A TRADEMARK OF BIEC, INC.</p>														

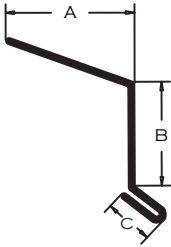
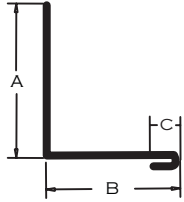
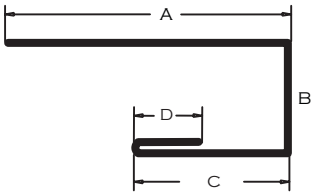
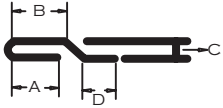


ITEM	DESCRIPTION													
<p>ZEE BAR - 1"</p>  <p>SPECIFY ANGLE OR ROOF SLOPE</p>		<table border="1"> <thead> <tr> <th>S.O.</th> <th>LB/10 LF</th> </tr> </thead> <tbody> <tr> <td>SAQM154 A=1" B=1" C=1"</td> <td>3" 2.60</td> </tr> <tr> <td>SAQM150 A=7/8" B=1 5/8" C=1 3/8"</td> <td>4 3/8" 3.79</td> </tr> <tr> <td>SAQM151 A=1" B=1 5/8" C=1 3/8"</td> <td>4 1/2" 3.90</td> </tr> <tr> <td>SAQM152 A=7/8" B=2 1/8" C=1"</td> <td>4 1/2" 3.90</td> </tr> <tr> <td>SAQM153 A=1" B=2" C=1"</td> <td>4" 3.47</td> </tr> </tbody> </table>	S.O.	LB/10 LF	SAQM154 A=1" B=1" C=1"	3" 2.60	SAQM150 A=7/8" B=1 5/8" C=1 3/8"	4 3/8" 3.79	SAQM151 A=1" B=1 5/8" C=1 3/8"	4 1/2" 3.90	SAQM152 A=7/8" B=2 1/8" C=1"	4 1/2" 3.90	SAQM153 A=1" B=2" C=1"	4" 3.47
S.O.	LB/10 LF													
SAQM154 A=1" B=1" C=1"	3" 2.60													
SAQM150 A=7/8" B=1 5/8" C=1 3/8"	4 3/8" 3.79													
SAQM151 A=1" B=1 5/8" C=1 3/8"	4 1/2" 3.90													
SAQM152 A=7/8" B=2 1/8" C=1"	4 1/2" 3.90													
SAQM153 A=1" B=2" C=1"	4" 3.47													
<p>SCULPTURED EAVE FLANGE GUTTER</p> 		<table border="1"> <thead> <tr> <th>S.O.</th> <th>LB/10 LF</th> </tr> </thead> <tbody> <tr> <td>SAQM240 A=4" B=4" C=7" D=3 1/2" E=1" ..</td> <td>23 1/2" 20.37</td> </tr> </tbody> </table>	S.O.	LB/10 LF	SAQM240 A=4" B=4" C=7" D=3 1/2" E=1" ..	23 1/2" 20.37								
S.O.	LB/10 LF													
SAQM240 A=4" B=4" C=7" D=3 1/2" E=1" ..	23 1/2" 20.37													
<p>BOX EAVE FLANGE GUTTER</p>  <p>SPECIFY ANGLE OR ROOF SLOPE</p>		<table border="1"> <thead> <tr> <th>S.O.</th> <th>LB/10 LF</th> </tr> </thead> <tbody> <tr> <td>SAQM231 A=4 B=4 5/8" C=4 1/4" D=2 3/4" E=1" F=1"</td> <td>23 1/2" 20.37</td> </tr> </tbody> </table>	S.O.	LB/10 LF	SAQM231 A=4 B=4 5/8" C=4 1/4" D=2 3/4" E=1" F=1"	23 1/2" 20.37								
S.O.	LB/10 LF													
SAQM231 A=4 B=4 5/8" C=4 1/4" D=2 3/4" E=1" F=1"	23 1/2" 20.37													
<p>STRAIGHT DOWNSPOUT</p> 		<table border="1"> <thead> <tr> <th>S.O.</th> <th>LB/10 LF</th> </tr> </thead> <tbody> <tr> <td>SAQM270 A=4" B=3 1/2"</td> <td>16 1/8" 13.98</td> </tr> </tbody> </table>	S.O.	LB/10 LF	SAQM270 A=4" B=3 1/2"	16 1/8" 13.98								
S.O.	LB/10 LF													
SAQM270 A=4" B=3 1/2"	16 1/8" 13.98													
<p>KYNAR 500® FLASHING - 24 GA TYP. GALVALUME O = ACRYLIC COATED GALVALUME GALVALUME IS A TRADEMARK OF BIEC, INC.</p>														

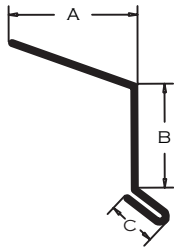


ITEM	DESCRIPTION									
<p>VALLEY WITH INTEGRAL CLEAT</p>  <p>SPECIFY ANGLE OR ROOF SLOPE</p>	<p>SAQM182 A=5 1/2" B=1" C=3 1/2" D=1" E=1" ASQM180 A=4" B=1" C=6" D=1" E=1" SAQM181 A=4" B=1 1/2" C=5 1/2" D=1" E=1"</p>	<table border="1"> <thead> <tr> <th>S.O.</th> <th>LB/10 LF</th> </tr> </thead> <tbody> <tr> <td>24"</td> <td>20.80</td> </tr> <tr> <td>26"</td> <td>22.53</td> </tr> <tr> <td>27"</td> <td>23.40</td> </tr> </tbody> </table>	S.O.	LB/10 LF	24"	20.80	26"	22.53	27"	23.40
S.O.	LB/10 LF									
24"	20.80									
26"	22.53									
27"	23.40									
<p>OFFSET CLEAT</p> 	<p>SAQM211 A=2" B= 5/8" C=1 1/2" D= 3/16" SAQM210 A=2" B=1/2" C=1 1/2" D=3/16"</p>	<table border="1"> <thead> <tr> <th>S.O.</th> <th>LB/10 LF</th> </tr> </thead> <tbody> <tr> <td>4 1/8"</td> <td>3.58</td> </tr> <tr> <td>4"</td> <td>3.47</td> </tr> </tbody> </table>	S.O.	LB/10 LF	4 1/8"	3.58	4"	3.47		
S.O.	LB/10 LF									
4 1/8"	3.58									
4"	3.47									
<p>LOW EAVE</p>  <p>SPECIFY ANGLE OR ROOF SLOPE</p>	<p>SAQM113 A=4 3/4" B=1 1/2" C=2 1/4" D=1/2" SAQM114 A=4" B=1" C=2" D=1/2"</p>	<table border="1"> <thead> <tr> <th>S.O.</th> <th>LB/10 LF</th> </tr> </thead> <tbody> <tr> <td>9 1/2"</td> <td>8.23</td> </tr> <tr> <td>8 1/2"</td> <td>7.37</td> </tr> </tbody> </table>	S.O.	LB/10 LF	9 1/2"	8.23	8 1/2"	7.37		
S.O.	LB/10 LF									
9 1/2"	8.23									
8 1/2"	7.37									
<p>RAKE</p>  <p>SPECIFY ANGLE OR ROOF SLOPE</p>	<p>SAQM113 A=4 3/4" B=1 1/2" C=2 1/4" D=1/2" SAQM114 A=4" B=1" C=2" D=1/2"</p>	<table border="1"> <thead> <tr> <th>S.O.</th> <th>LB/10 LF</th> </tr> </thead> <tbody> <tr> <td>9 1/2"</td> <td>8.23</td> </tr> <tr> <td>8 1/2"</td> <td>7.37</td> </tr> </tbody> </table>	S.O.	LB/10 LF	9 1/2"	8.23	8 1/2"	7.37		
S.O.	LB/10 LF									
9 1/2"	8.23									
8 1/2"	7.37									
<p>KYNAR 500® FLASHING - 24 GA TYP. GALVALUME® = ACRYLIC COATED GALVALUME GALVALUME IS A TRADEMARK OF BIEC, INC.</p>										



ITEM	DESCRIPTION		
<p>EAVE (OFFSET CLEAT)</p> 	S.O.	LB/10 LF	
<p>SIDEWALL</p> 	S.O.	LB/10 LF	
<p>J CHANNEL</p> 	S.O.	LB/10 LF	
<p>VALLEY CLIP</p> 	S.O.	LB/10 LF	
<p>KYNAR 500® FLASHING - 24 GA TYP. GALVALUME® = ACRYLIC COATED GALVALUME GALVALUME IS A TRADEMARK OF BIEC, INC.</p>			

EAVE (OFFSET CLEAT)

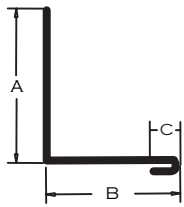


SAQM112 A=4" B=3" C=1/2"

8"

6.93

SIDEWALL



SAQM130 A=4" B=4" C=1/2"
 SAQM131 A=3 1/2" B=5" C=1"

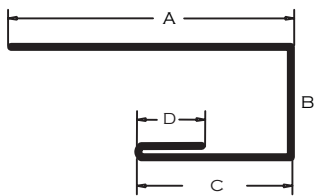
8 1/2"

9 1/2"

7.37

8.23

J CHANNEL



SAQM170 A=3 3/8" B=1 1/8" C=1" D=1/2"
 SAQM171 A=3 1/2" B=5" C=1 1/4" D=1/2"
 SAQM172 A=4 1/2" B=1 1/3" C=1 5/8" D=1/2"

6"

10"

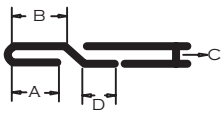
8"

5.20

8.67

6.93

VALLEY CLIP



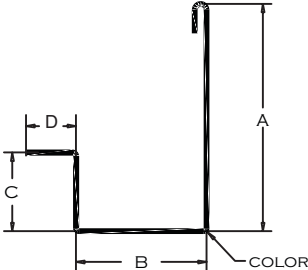
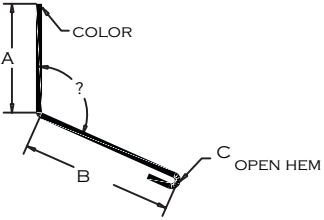
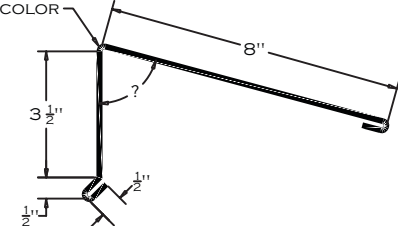
SAQM300 A=1" B=1 1/2" C=3/16" D=1"

4 1/2"

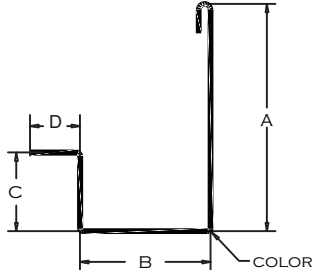
3.9

KYNAR 500® FLASHING - 24 GA TYP.
 GALVALUME® = ACRYLIC COATED GALVALUME
 GALVALUME IS A TRADEMARK OF BIEC, INC.



ITEM	DESCRIPTION		
<p>FASCIA WRAP</p> 		S.O.	LB/10 LF
<p>ENDWALL</p>  <p>SPECIFY ANGLE OR ROOF SLOPE</p>		S.O.	LB/10 LF
<p>HIGH SIDE EAVE</p>  <p>SPECIFY ANGLE OR ROOF SLOPE</p>		S.O.	LB/10 LF
<p>KYNAR 500® FLASHING - 24 GA TYP. GALVALUME ® = ACRYLIC COATED GALVALUME GALVALUME IS A TRADEMARK OF BIEC, INC.</p>			

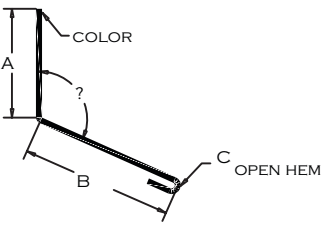
FASCIA WRAP



SAQM290 A=6" B=2 5/8" C=1 1/4" D=1/2"
 SAQM291 A=8" B=2 5/8" C=1 1/4" D=1/2"

	S.O.	LB/10 LF
SAQM290	10 7/8"	9.43
SAQM291	12 7/8"	11.16

ENDWALL

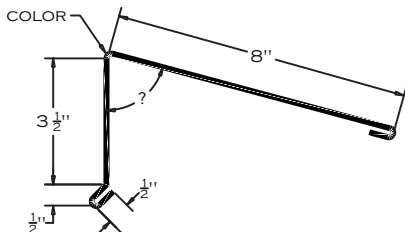


SPECIFY ANGLE OR ROOF SLOPE

SAQM143 A=3" B=5 1/2" C=1/2"
 SAQM140 A=3 1/2" B=4 1/2" C=1"
 SAQM141 A=3 1/2" B=5" C= 1"
 SAQM142 A=7 1/2" B=7 1/2" C=1/2"

	S.O.	LB/10 LF
SAQM143	9"	7.80
SAQM140	9"	7.80
SAQM141	9 1/2"	8.23
SAQM142	15 1/2"	13.43

HIGH SIDE EAVE



SPECIFY ANGLE OR ROOF SLOPE

SAQM111 A=1/2" B=3 1/2" C=8" D=1/2"
 SAQM110 A=1" B=5" C=5" D=1/2"

	S.O.	LB/10 LF
SAQM111	13"	11.27
SAQM110	12"	10.40

KYNAR 500® FLASHING - 24 GA TYP.
 GALVALUME ® = ACRYLIC COATED GALVALUME
 GALVALUME IS A TRADEMARK OF BIEC, INC.